

**Inverter, Direct to alternative converter
output: 115/230Vac 50/60Hz 400VA maxi**

• Nominal DC input

12Vdc, 24Vdc, 48Vdc, 72Vdc
110Vdc, 115Vdc, 125Vdc, 250Vdc

• Sine wave output 50 Hz / 60 Hz +/- 0.2 Hz

100 / 110 / 115 / 120 Vac
200 / 220 / 230 / 240 Vac
rated power up to 400VA
overload admissible 600VA

• Rail DIN or surface mounting,

Cooling by ventilation or natural convection

• High efficiency >86% typical, low no-load consumption

• Input / Output isolation 4000Vac



The WR200-DC-AC is a sine wave output inverter able to supply a local alternative voltage from battery or DC network. It incorporates input regulation ensuring a regulated and protected alternating output voltage.

Description:

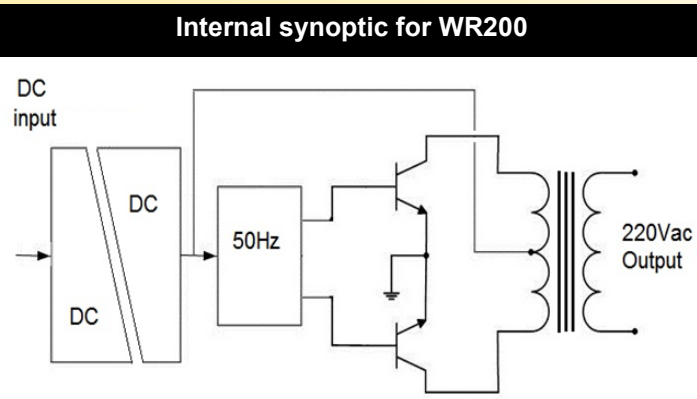
- Switching mode inverter allow high power density without heating due to the high efficiency of electronic.
- Wide range of DC input
- Overload admissible 150% during 10sec
- Short-circuit protected
- Reverse polarity protected
- Under voltage protected (lockout)
- Thermal protected (limitation of output power)
- force air cooling or natural convection
- Low no-load consumption

Features:

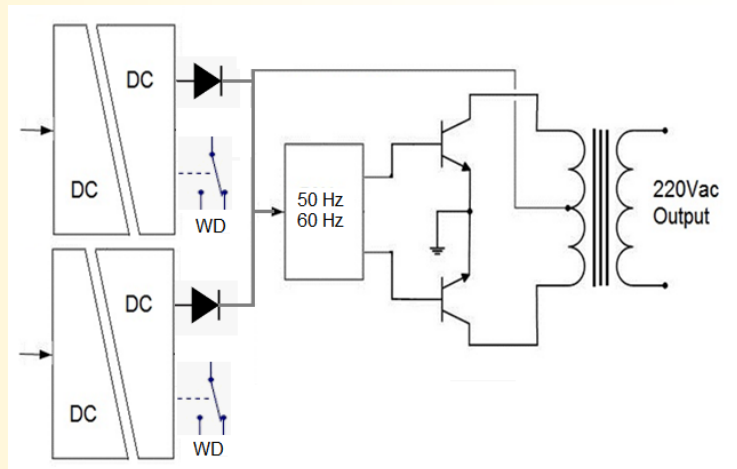
- DIN rail mounting or surface mounting,
- Protection rating IP20,
- Conformal coating for electronic protection,
- Non sensitive to dust and humidity,
- Resistant to shock and vibration,
- Connection with pluggable terminal blocks (section up to 4 mm²).
- Build-in EMC filter according to EN55022 class A

Implementation recommendations:

- primary protection with fuse recommended (20A delayed)
- maintain a spacing between devices for natural convection
- horizontal mounting recommended



Internal synoptic for WR200-WD



Version and order code:

[Request a quote](#)

WR200-DC-AC-P :

- Rating DC input: 12V, 24V, 48V, 110V, 115V, 125V, 250V rated voltage +/- 15%
- Rating AC output: 230Vac, 50Hz by default
100 / 110 / 115 / 120 / 200 / 220 / 230 Vac 50Hz or 60Hz
- Rating power : 100VA / 200VA / 400VA

WR200Wi-DC-AC-P:

- Rating DC input: 12V, 24V, 48V, 110V, 115V, 125V, 250V Wide range +/-25% , or specific on request
- Rating AC output: 230Vac 50 Hz par défaut
100 / 110 / 115 / 120 / 200 / 220 /230 Vac 50Hz ou 60Hz
- Rating power : 100VA / 200VA / 400VA

WR200R-WD: Redundant version. 2 DC inputs and 1 AC output with Watchdog relay on each DC input

Option :-NV Natural convection cooling (fanless).

Rating input voltage:
 12Vdc, 24Vdc, 48Vdc, 72Vdc,
 110Vdc, 115Vdc, 125Vdc, 250Vdc
 other input on request in wide range

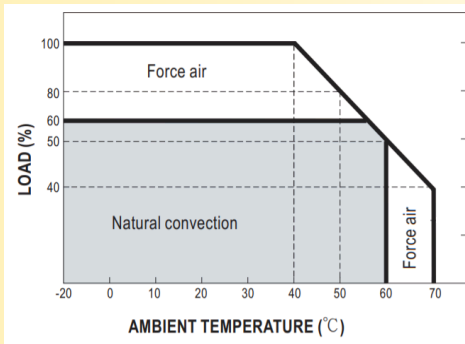
Typical efficiency > 86%
 Inrush current 25A typical

AC output

Alternative voltage sine distortion < 3%
 shape of output wave Sine wave
 Output accuracy +/- 3% for rated input
 Frequency 50Hz / 60Hz +/- 0.2Hz

Load regulation (output current variation) : +/-3%
 Line regulation (input variation) : +/-1%
 Thermal stability : +/-0.07% / °C
 Overload protection: 150% typical

Output power function of ambient temperature. In natural convection and in force air cooling



ENVIRONNEMENT

Operating temperature -25°C to 70°C
 Derating with temperature 2.5% / °C above 50°C
 Thermal protection 85°C internal
 Storage temperature -25°C to 85°C
 Humidity 85 % (not condensed)
 Insulation resistance > 100 Mohms @ 500Vdc
 Dielectric strength 4000VAC (input / output)
 Weight 2000g
 Protection rating IP20
 MTBF (MIL HDBK 217F) > 400 000 hours @ 25°C
 Life time > 200 000 hours @ 30°C
 Life time > 50 000 hours @ 50°C

Electromagnetic compatibility 2014/30/UE / Low Voltage Directive 2014/35/UE

Immunity standard for industrial environments EN 61000-6-2		Emission standard for industrial environments EN 61000-6-4
EN 61000-4-2 ESD	EN 61000-4-8 AC MF	EN 55011 group 1 class A
EN 61000-4-3 RF	EN 61000-4-9 pulse MF	
EN 61000-4-4 EFT	EN 61000-4-11 AC dips	
EN 61000-4-5 CWG	EN 61000-4-12 ring wave	
EN 61000-4-6 RF	EN 61000-4-29 DC dips	



WIRING AND OUTLINE DIMENSIONS:

